



The New RAZOR8 Holder

Razor Slitting Holder with Fully-Automatic Blade Rotation

DIENES is pleased to introduce its new and improved RAZOR8 Holder.

- **LESS PRODUCTION DOWNTIME**
- **IMPROVED OPERATOR SAFETY**
- **CONTINUOUS SLITTING EVEN WHEN ROTATING BLADES**
- **INCREASES RAZOR BLADE LIFE BY UP TO 2,000%**
- **OPERATOR-FRIENDLY TOUCH-SCREEN CONTROL BOX**



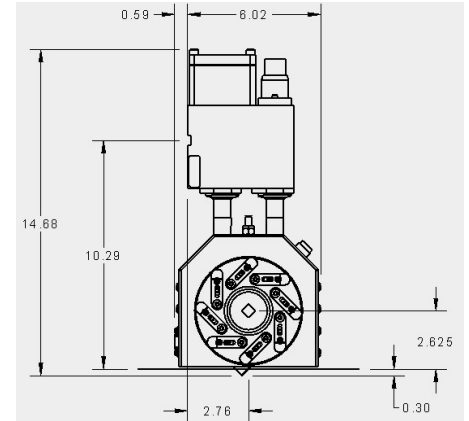
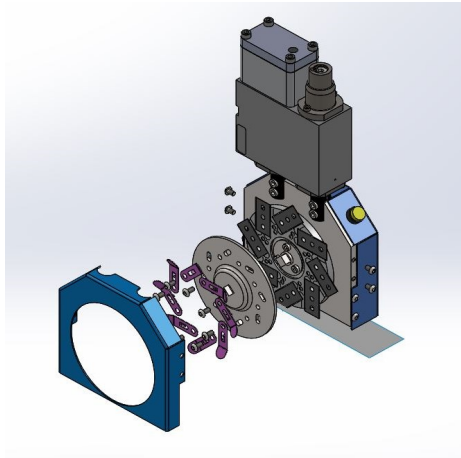
Features and Specifications:

- Eight blade capacity
- Powered sequencing (programmable or operator initiated) with non-stop slitting
- Dienes DF Holder Dual Shaft technology provides rigid zero-looseness and zero-wobble razor head support
- Designed for new machinery or existing slitter system upgrade
- Installation and programming support available.
- Pneumatic engagement with flow control valve for smooth web entry
- Dovetail bar or linear bearing mounted
- Micrometer web entry depth adjustment
- Extending blade life with blade oscillation effects
- Full guarding with minimum operating blade exposure
- Offline control box for easy access



Less Production Downtime:

The RAZOR8, with eight available slitting razors, extends time between blade removal to lengthen production runs and improve scheduling. A rotating blade head sequences blade-to-blade, never losing web slitting contact.



Improved Operator Safety:

The RAZOR8 has a full blade head guard assembly to prevent blade contact and allows only 1/2" of blade exposure when slitting. The offline control box, allows the operator to index to the next blade, whether manually or automatically, without having to come in contact with the razor blades. Additionally, the multiblade head greatly extends time between blade replacements – lessening operator exposure to sharp razor edges. Normal precautions are required when removing and mounting razor blades from the head assembly.

Increased Blade Life By Up to 2,000%:

Through its programmable blade oscillation feature, the RAZOR8 has the ability to extend the blade life of the razor blades by up to 2,000%.

Operator-Friendly Touch-Screen Control Box

The RAZOR8 is controlled through a touch-screen control box, which is mounted offline for easy operator access.

The features in this control box include:

Auto Mode: Blades index automatically based on the time selected

Manual Mode: the blade indexes via the push of button "MANUAL INDEX"

Indicator Light: Red indicates used blade, Green indicates good blade

Hour Entry: Tap the icon to enter the appropriate time to run each blade

Hours Indicator: Displays how many hours has the blade been in operation

