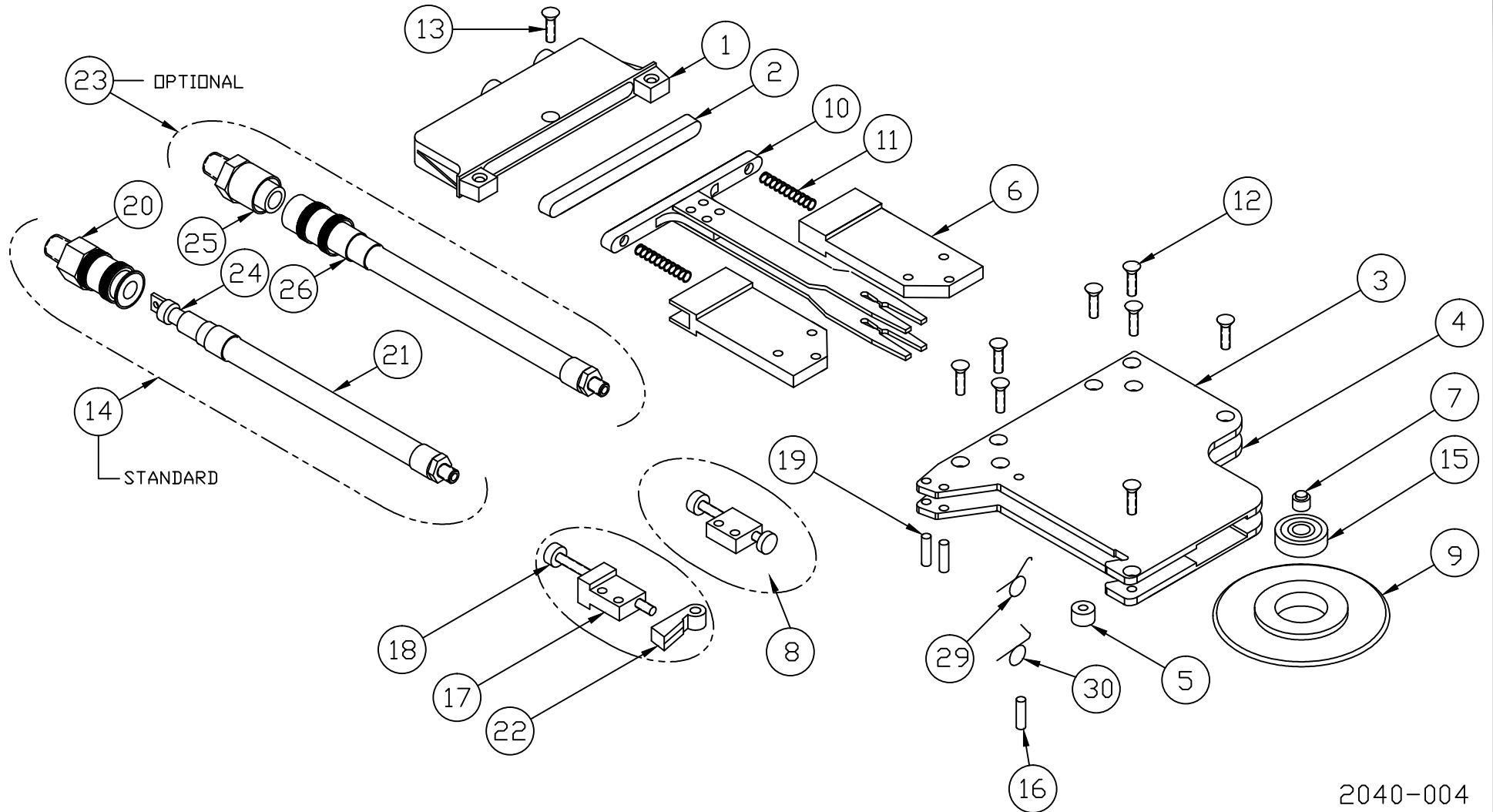


DIENES

PQAS 6mm HIGH CRUSH/SCORE CUT HOLDER PARTS LIST



2040-004

ITEM #	DESCRIPTION	DIENES PART #	ITEM #	DESCRIPTION	DIENES PART #	ITEM #	DESCRIPTION	DIENES PART #
1	PRESSURE CYLINDER	244B301A01001	11	PRESSURE SPRING	263D010044010	21	HOSE	244A000113010
2	GASKET	244B301A01001	12	COUNTERSUNK SCREW	234B010176010	22	CLAMPING ARM	244B020076020
3	SIDE PLATE (R. HAND)	N.A.	13	COUNTERSUNK SCREW	234B010176020	23	HOSE ASS'Y (TYPE 3)	02298-09
4	SIDE PLATE (L. HAND)	N.A.	14	HOSE ASS'Y (TYPE 1)	244A113001001	24	MALE CONNECTOR	02147-09
5	DISTANCE RING	244B010287010	15	BALL BEARING	0FKULAG008002	25	QUICK DISCONNECT	02358
6	INTERMEDIATE PIECE	244B090864010	16	CLAMPING SPLIT PIN	02777	26	MALE SNAP CONNECTOR	02080-09
7	AXLE PIN	244B010314010	17	CLAMP BODY (#8-32)	244B030435020	27	SPRING (DW)	412414-01
8	STANDARD CLAMP	244A372001001	18	SCREW #8-32x1-1/2"LG	234B010024010	28	SPRING (USA)	412414
9	CRUSH CUT KNIFE	239B080151010	19	RIVET	234E000003060			
10	KNIFE FORK	244A185001001	20	QUICK DISCONNECT	0FPNZUB010003			